



Quick-Disconnect Link (Short) (Kit P/N 860 200 667)
Quick-Disconnect Link (Long) (Kit P/N 860 200 811)

The following symbols may be used in this document:

⚠ WARNING

Indicates a hazardous situation which, if not avoided, could result in death or serious injury.

⚠ CAUTION Indicates a hazard situation which, if not avoided, could result in minor or moderate injury.

NOTICE Indicates an instruction which, if not followed, could severely damage vehicle components or other property.

⚠ WARNING

- For safety reasons, this kit must be installed by an authorized BRP dealer.
- This kit is designed for specific applicable models only (authorized BRP dealers will confirm model(s)). It is not recommended for units other than the one (those) for which it was sold.
- This instruction sheet **MUST** be given to the purchaser.
- Torque wrench tightening specifications must strictly be adhered to.
- Unless otherwise specified, engine must be OFF when performing any operation on the vehicle.

NOTE: Link kit allows the use of stabilizer bar on rough trails while quick disconnecting it permits side hilling mountains.

⚠ WARNING

Should connecting link be performed in a trail, always install it on the **RIGHT SIDE** of the snowmobile in order to clear the path for other vehicles and avoid getting hit.

⚠ WARNING

Before installing this kit, make sure the kit corresponds to the vehicle.

- Remove a sway bar link from the vehicle and insert ball joints of quick-disconnect link into sway bar link holes. Both ball joints must be inserted straight ahead and freely. **Refer to FIG.2.**
- If one of the ball joints cannot be inserted, stop the installation and change for the proper kit.

⚠ WARNING

Trail riding without this link connected to the sway bar will increase the risk of losing control of snowmobile, possibly resulting in serious injuries or death. To reduce the risk of losing control of snowmobile, always reconnect this link to the sway bar when trail riding.

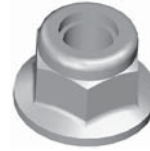
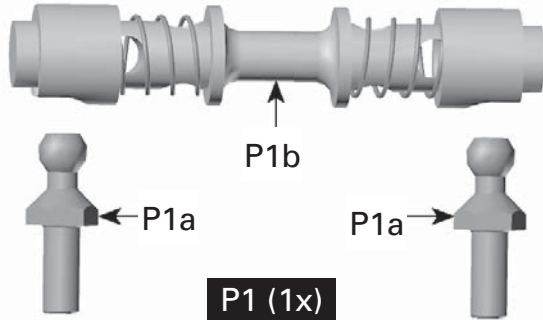
NOTE: The illustrations in this document show typical construction of the different assemblies and may not reproduce the full detail or exact shape of the parts; however, they represent parts that have the same or similar function.

Installation time is approximately **0.3** hour.

PARTS TO BE INSTALLED

860 200 667

77 mm (3-1/32")

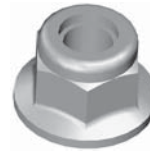
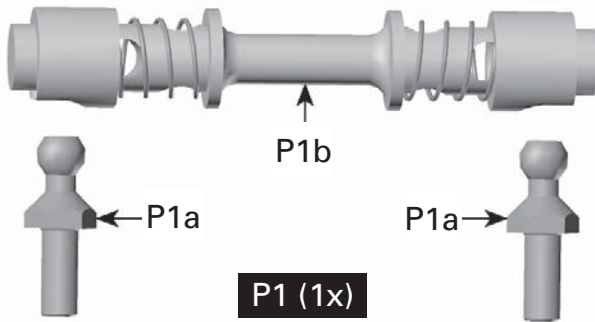


P2 (2x)

M6
(233 061 414)

860 200 811

87 mm (3-27/64")

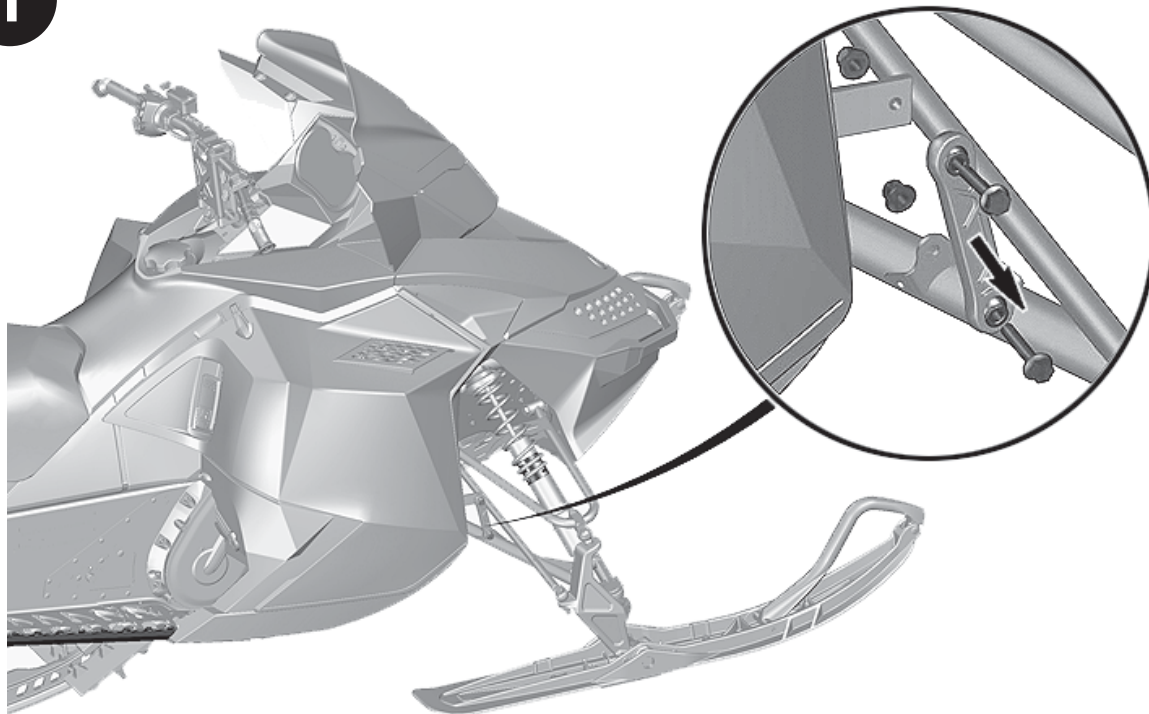


P2 (2x)

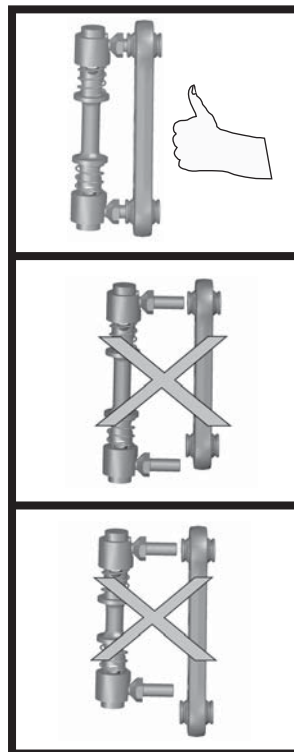
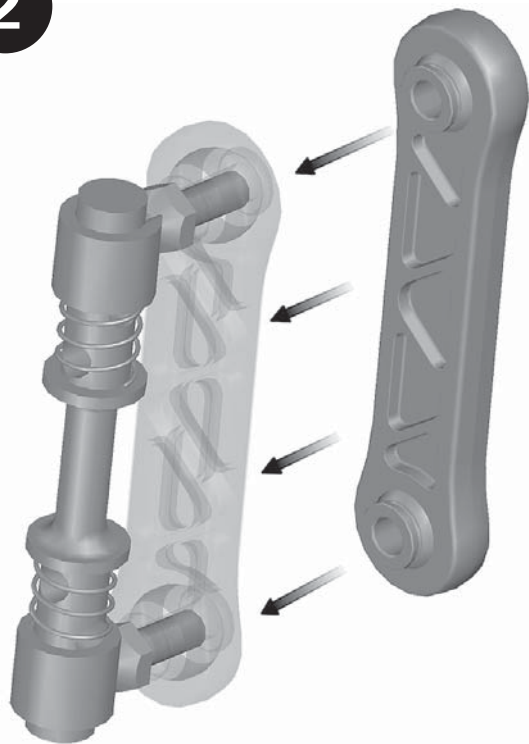
M6
(233 061 414)

msi2013-032-100

1

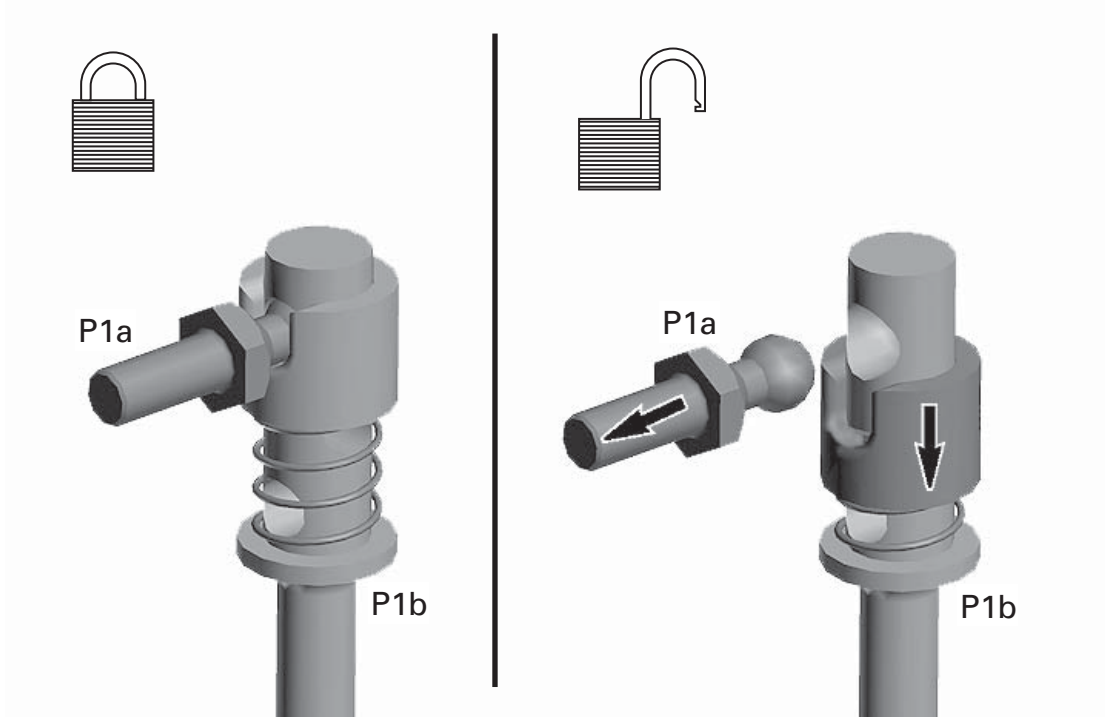


2

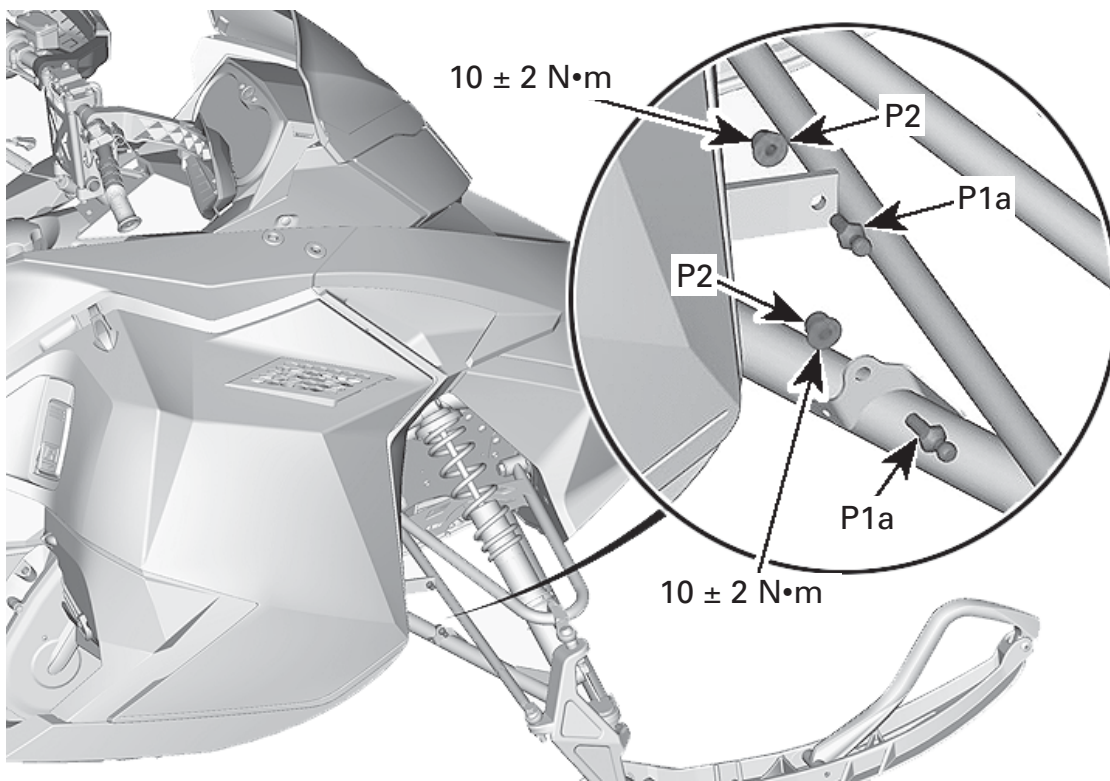


msi2013-032-101

3

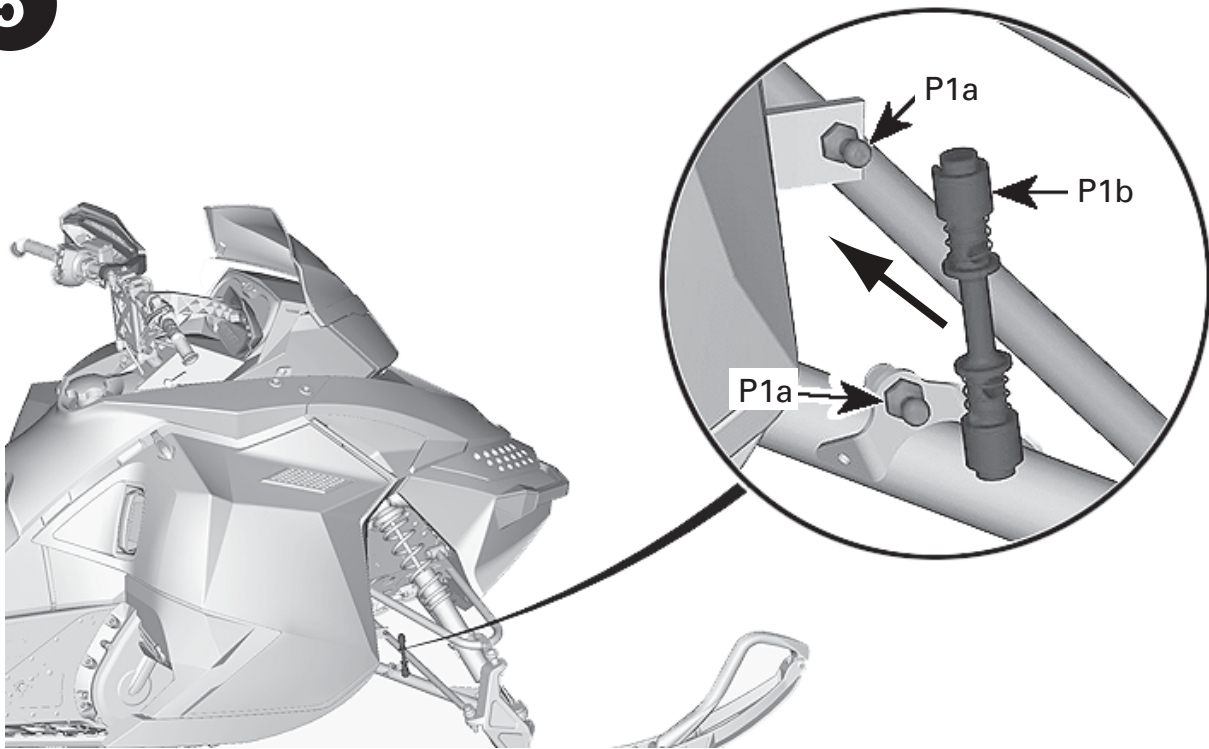


4



msi2013-032-102

5



msi2013-032-103